

Rohrleitungsventile – Druckbegrenzungsventil direktgesteuert –



– Druckbegrenzungsventil –

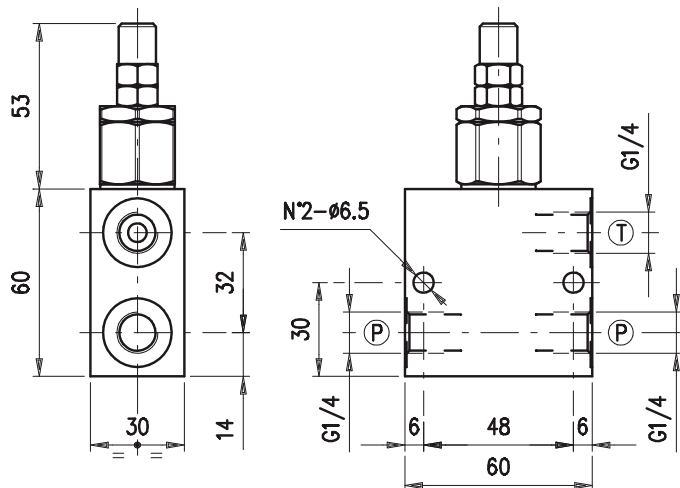
direktgesteuert

Bestellnr.	Typ	Bezeichnung	Gehäuse	max. Betriebsdruck bar	max. Durchfluss l/min	Code
230-0020-0140	VMP/B/L 03-14/TB.S	1/4"-Einstellb. 5-40bar-Hutmutter	Alu	210	10	1111011100
230-0020-0145	VMP/B/L 03-14/TB.V	1/4"-Einstellb. 5-40bar-Handrad				1111011101
230-0020-0150	VMP/B/L 03-14/TS.S	1/4"-Einstellb. 50-200bar-Hutmutter				1111011104
230-0020-0155	VMP/B/L 03-14/TS.V	1/4"-Einstellb. 50-200bar-Handrad				1111011105
230-0020-0160	VMP/B/L 03-14/TR.S	1/4"-Einstellb. 150-350bar-Hutmutter				1111011106
230-0020-0165	VMP/B/L 03-14/TR.V	1/4"-Einstellb. 150-350bar-Handrad				1111011107
230-0020-0170	VMP/B/L 03-14/LPD/TR.V	1/4"-Einstellb. 150-350bar-Handrad				1111011113
230-0020-0175	VMP/B/L 03-14/TR.S/ac	1/4"-Einstellb. 150-350bar-Hutmutter	Stahl	350	10	1111012100
230-0020-0180	VMP/B/L 03-14/TS.S/ac	1/4"-Einstellb. 50-200bar-Hutmutter				1111012101
230-0020-0185	VMP/B/L 03-14/TR.V/ac	1/4"-Einstellb. 150-350bar-Handrad				1111012102

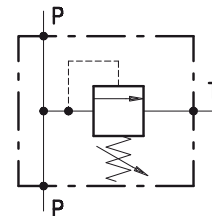
230-0020

PRESSURE RELIEF VALVES
VMP /B /L 03-14

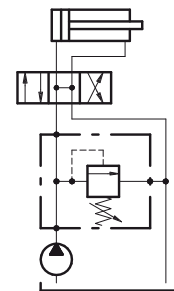
DIMENSIONS (mm)



HYDRAULIC DIAGRAM



ASSEMBLY DIAGRAM



DESCRIPTION

Direct acting, poppet type.

OPERATION

Allows oil flow from P to T when pressure in P reaches the setting of the spring.

PERFORMANCE

Maximum flow: 10 l/min.

Maximum Pressure:

210 bar (aluminium valve)

350 bar (steel valve)

Application range with standard springs:

5 + 80 bar (test setting: 30 bar at 5 l/min.) pressure increase by steps of 11.5 bar per screw turn

50 + 220 bar (test setting: 150 bar at 5 l/min.) pressure increase by steps of 31.5 bar per screw turn

180 + 350 bar (test setting: 250 bar at 5 l/min.) pressure increase by steps of 74 bar per screw turn

To perform setting of the valve see the pressure drop/ flow diagram.

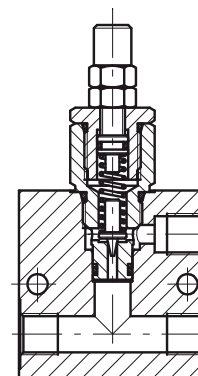
Hysteresis: 90% of the setting value for flow capacity 1 l/min.

Oil leaks from P to T: disregarable.

Working temperature:

min. -25°C max. 90°C with standard BUNAN gaskets

min. -20°C max. 200°C with optional VITON gaskets



RECOMMENDATIONS

Fluid: best use mineral oil with viscosity ranging between 10 and 200 cSt.

Weight:

aluminium valves 0.40 kg
steel valves 0.84 kg

Cartridges: see page 1.1000.050.

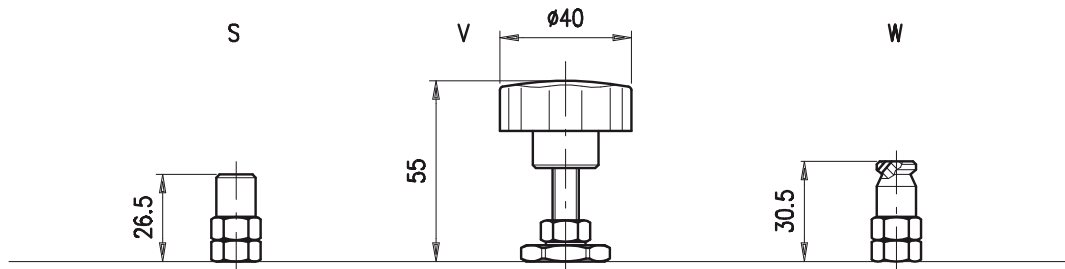
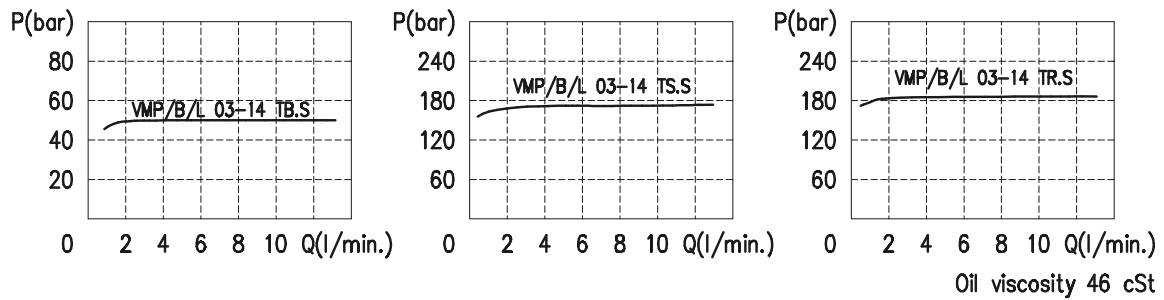
Material: internal components made out of high-grade steel duly treated and fabricated.

For more information please ask our technical office .

Variations and modifications of technical features and dimensions are reserved. **OLEOSTAR S.p.A.** also reserves the right to stop production of each and any model listed in the catalogue with no notice.

Copyrights on the text contained herein belong to **OLEOSTAR S.p.A.** . Partial and full reproductions or copies of this catalogue are forbidden.

RATING DIAGRAMS



CODE NUMBER

