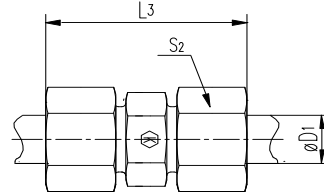
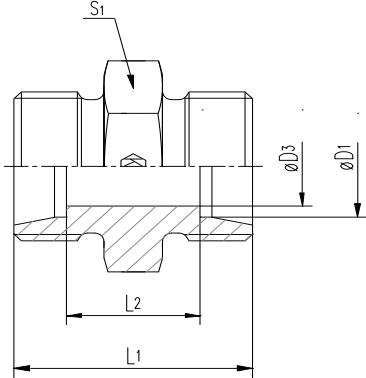


# G Straight Fittings - 24° cone end

## G - Gerader Stutzen 24° - Anschluss

Order code without nut and cutting ring  
**XN...(X121....)**

Order code with nut and cutting ring  
**N...(121....)**



Series	Tube ØD1	D3	L1	L2	L3	S1	S2	Weight g/1 piece	ITEM CODE	ITEM NAME	PN (bar)
	Rohr ØD1								PREMOEM Nr.:	Bezeichnung	
LL	4	3.0	20	12	31	9	10	5	121100404	N4DB	100
	6	4.5	20	9	32	11	12	7	121100606	N6DB	100
	8	6.0	23	12	35	12	14	10	121100808	N8DB	100
	10	8.0	23	12	35	14	17	13	121101010	N10DB	100
	12	10.0	23	11	35	17	19	16	121101212	N12DB	100
L	6	4.0	24	10	39	12	14	12	121200606	N6NB	315
	8	6.0	25	11	40	14	17	16	121200808	N8NB	315
	10	8.0	27	13	42	17	19	23	121201010	N10NB	315
	12	10.0	28	14	43	19	22	28	121201212	N12NB	315
	15	12.0	30	16	46	24	27	51	121201515	N15NB	315
	18	15.0	31	16	48	27	32	69	121201818	N18NB	315
	22	19.0	35	20	52	32	36	90	121202222	N22NB	160
	28	24.0	36	21	54	41	41	137	121202828	N28NB	160
	35	30.0	41	20	63	46	50	214	121203535	N35NB	160
42	36.0	43	21	66	55	60	296	121204242	N42NB	160	
S	6	4.0	30	16	45	14	17	26	121300606	N6YB	630
	8	5.0	32	18	47	17	19	37	121300808	N8YB	630
	10	7.0	32	17	49	19	22	44	121301010	N10YB	630
	12	8.0	34	19	51	22	24	60	121301212	N12YB	630
	14	10.0	38	22	57	24	27	77	121301414	N14YB	630
	16	12.0	38	21	57	27	30	90	121301616	N16YB	400
	20	16.0	44	23	66	32	36	143	121302020	N20YB	400
	25	20.0	50	26	74	41	46	251	121302525	N25YB	400
	30	25.0	54	27	80	46	50	330	121303030	N30YB	400
38	32.0	61	29	90	55	60	545	121303838	N38YB	315	

LL= very light series

L= light series

S= heavy series

$\frac{PN \text{ (bar)}}{10} = PN \text{ (MPa)}$

Zinc plated=Cr(VI)-free