

Umschaltventile

– DF5/6 –



– mit Hebel –

Bestellnr.	Typ	Code
254-170-01000	DF5/6A12L	122082040
254-170-01050	DF5/6A17L	122084040
254-170-01100	DF5/6A17SLP	122084020
254-170-01150	DF5/6AT17SLP	122084010
254-170-01200	DF5/6A18PSLC	122085130
254-170-01250	DF5/6A18IA1SLC	122080028
254-170-01300	DF5/6A18IA1L	122085340
254-170-01350	DF5/6B12L	122092040
254-170-01400	DF5/6B12SL	122092060
254-170-01450	DF5/6B17YIA2	122080007
254-170-01500	DF5/6B17YMEIA2	122080034
254-170-01550	DF5/6A17YMEIA2	122080036
254-170-01600	DF5/6A11L	122082045
254-170-01650	DF5/6A17IA2	122084080
254-170-01700	DF5/6A17IB2	122084090
254-170-01750	DF5/6B17L	122094040
254-170-01800	DF5/6B17C	122094050
254-170-01850	DF5/6B17PL-MC	122094141

254-170

DF

with mechanical control

Working conditions

This catalogue shows technical specifications and diagrams measured with mineral oil of 46 mm²/s - 46 cSt viscosity at 40°C temperature.

		DF5	DF10	DF20	DF25
N. of available ways		2-3-6	2-3-6	2-3-6	3
Nominal flow rating		60 l/min	90 l/min	140 l/min	280 l/min
Operating pressure (maximum)		315 bar 4600 psi	315 bar 4600 psi	315 bar 4600 psi	315 bar 4600 psi
Internal leakage A(B)→T	Δp=100 bar 1450 psi with fluid and valve at 40°C	5 cm ³ /min 0.31 in ³ /min	5 cm ³ /min 0.31 in ³ /min	8 cm ³ /min 0.49 in ³ /min	8 cm ³ /min 0.49 in ³ /min
Hydraulic fluid		Mineral base oil			
Fluid temperature		with NBR seals from -20° to 80°C			
		with FPM seals from -20° to 100°C			
Viscosity		operating range from 15 to 75 mm ² /s - from 15 to 75 cSt			
		minimum 12 mm ² /s - 12 cSt			
		maximum 400 mm ² /s - 400 cSt			
Max. level of contamination		19/16 - ISO 4406			
Ambient temperature		from -40° to 60°C			

NOTE - For different working conditions please contact Customer Service.

Standard threads

ALL PORTS	BSP (ISO 228/1)	UN-UNF (ISO 11926-1)
DF5	G 3/8	3/4-16 UNF-2B (SAE 8)
DF10	G 1/2	7/8-14 UNF-2B (SAE 10)
DF20	G 3/4	1 1/16-12 UN-2B (SAE 12)
DF25	G 1	1 5/16-12 UN-2B (SAE 16)
PILOT PORTS		
Pneumatic	NPT 1/8-27	NPT 1/8-27
Hydraulic	G 1/4	9/16-18 UNF-2B (SAE 6)

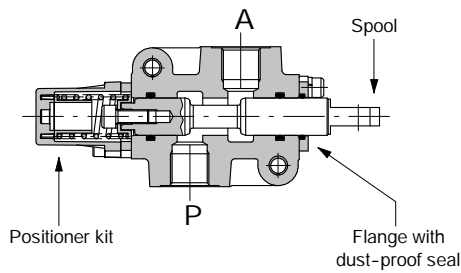
with mechanical control

DF

Hydraulic circuit

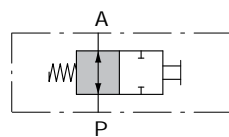
2-way

Available as body only in DF5/2 execution; for other executions 3-way body is used.



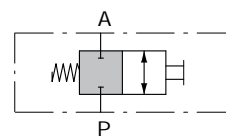
Spool type A

1 2



Spool type B

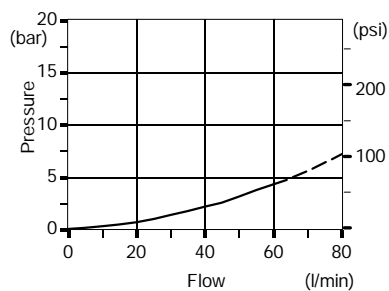
1 2



Performance data

Pressure drop versus flow

P→A



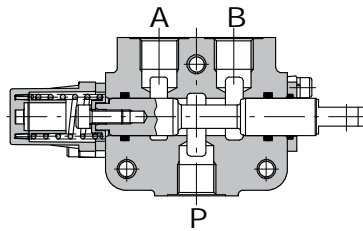
DF

with mechanical control

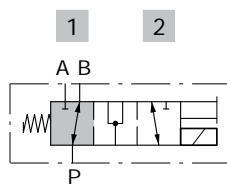
Hydraulic circuit

3-way

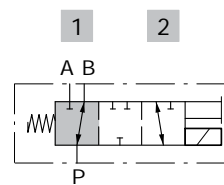
It's possible to obtain 2-way diverter valve plugging port A or B.



Spool type A



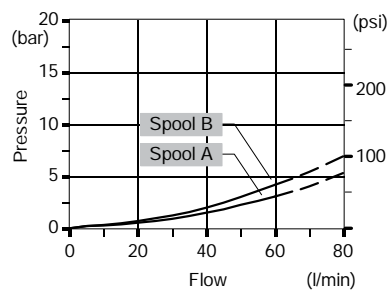
Spool type B B



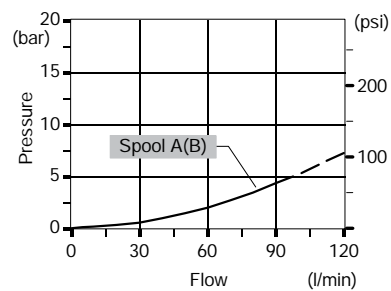
Performance data

Pressure drop versus flow: P→A(B)

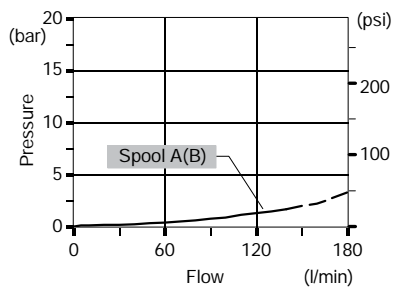
DF5/3



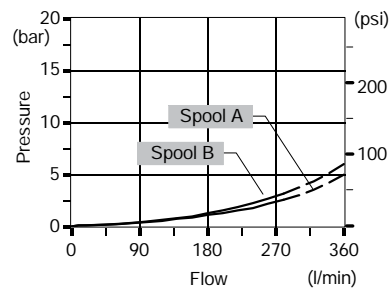
DF10/3



DF20/3



DF25/3

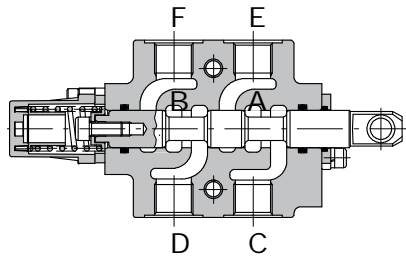


with mechanical control

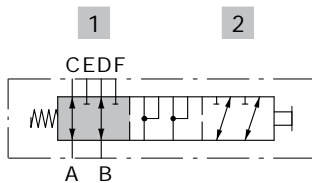
DF

Hydraulic circuit

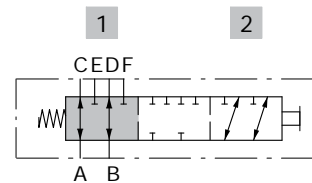
6-way



Spool type A



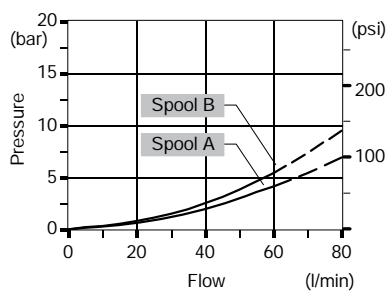
Spool type B



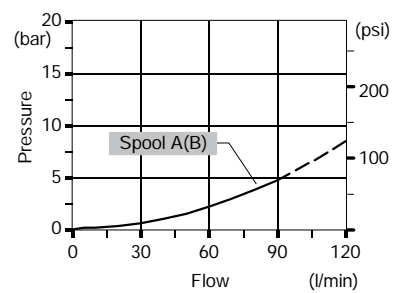
Performance data

Pressure drop versus flow: A→C(E).

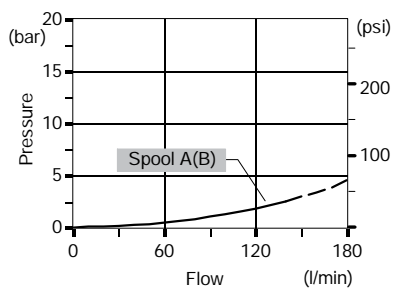
DF5/6



DF10/6



DF20/6

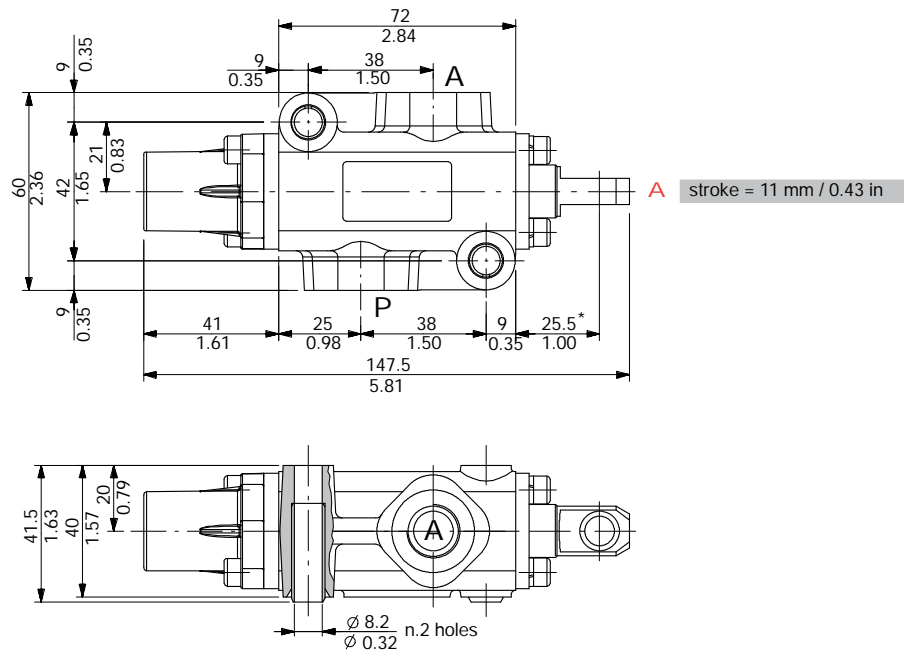


DF5

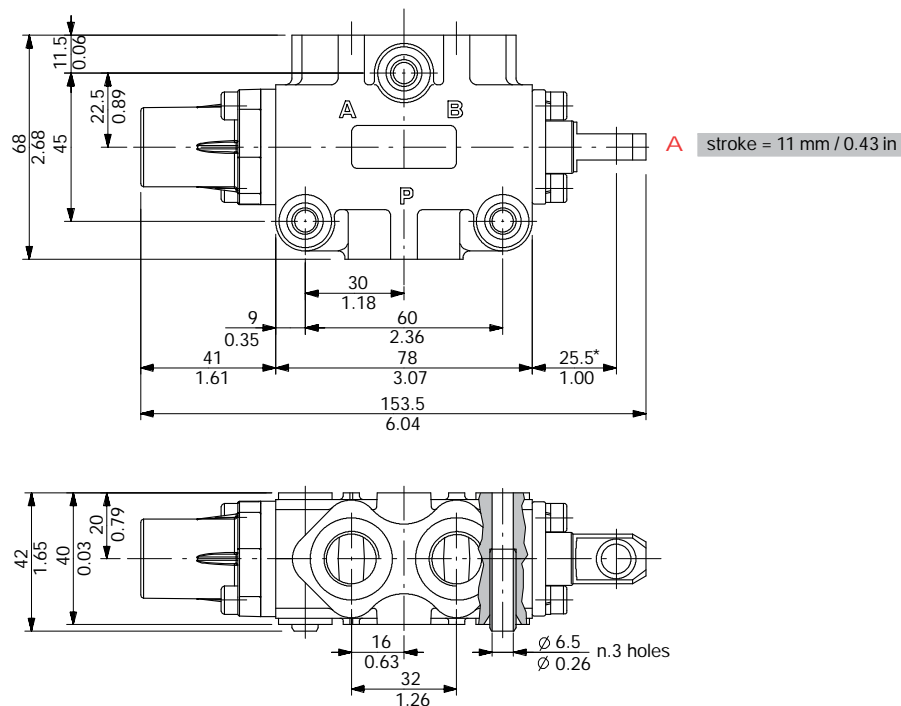
with mechanical control

Dimensional data

2-way DF5/2 valve



3-way DF5/3 valve

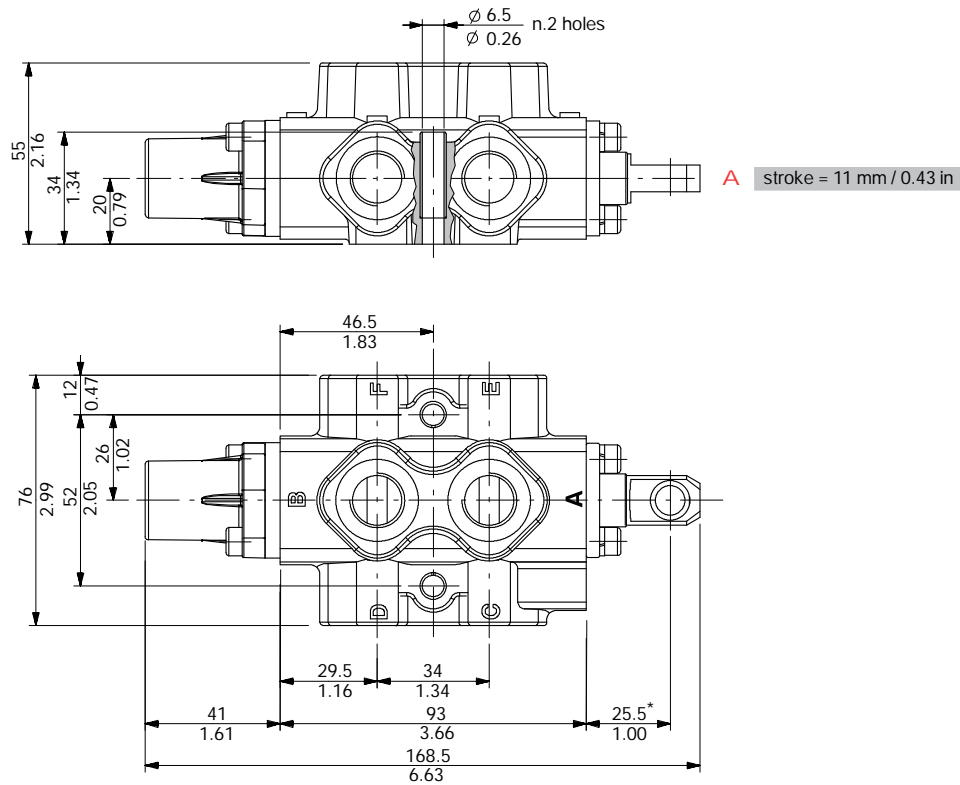


With mechanical control

DF5

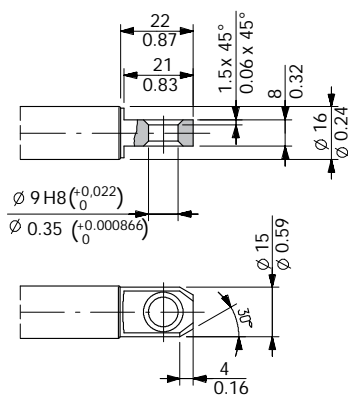
Dimensional data

6-way DF5/6 valve



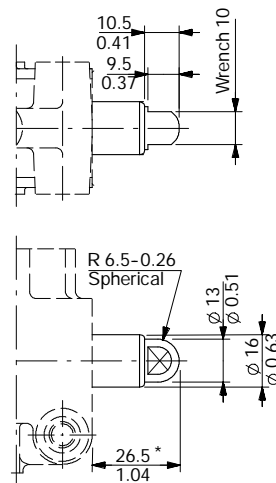
Spool end

Standard end

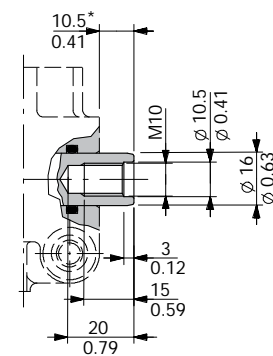


NOTE (*) - With spool out
(positioner kit type 17)

Spherical end type T



Rotary cam prearrangement



DF5

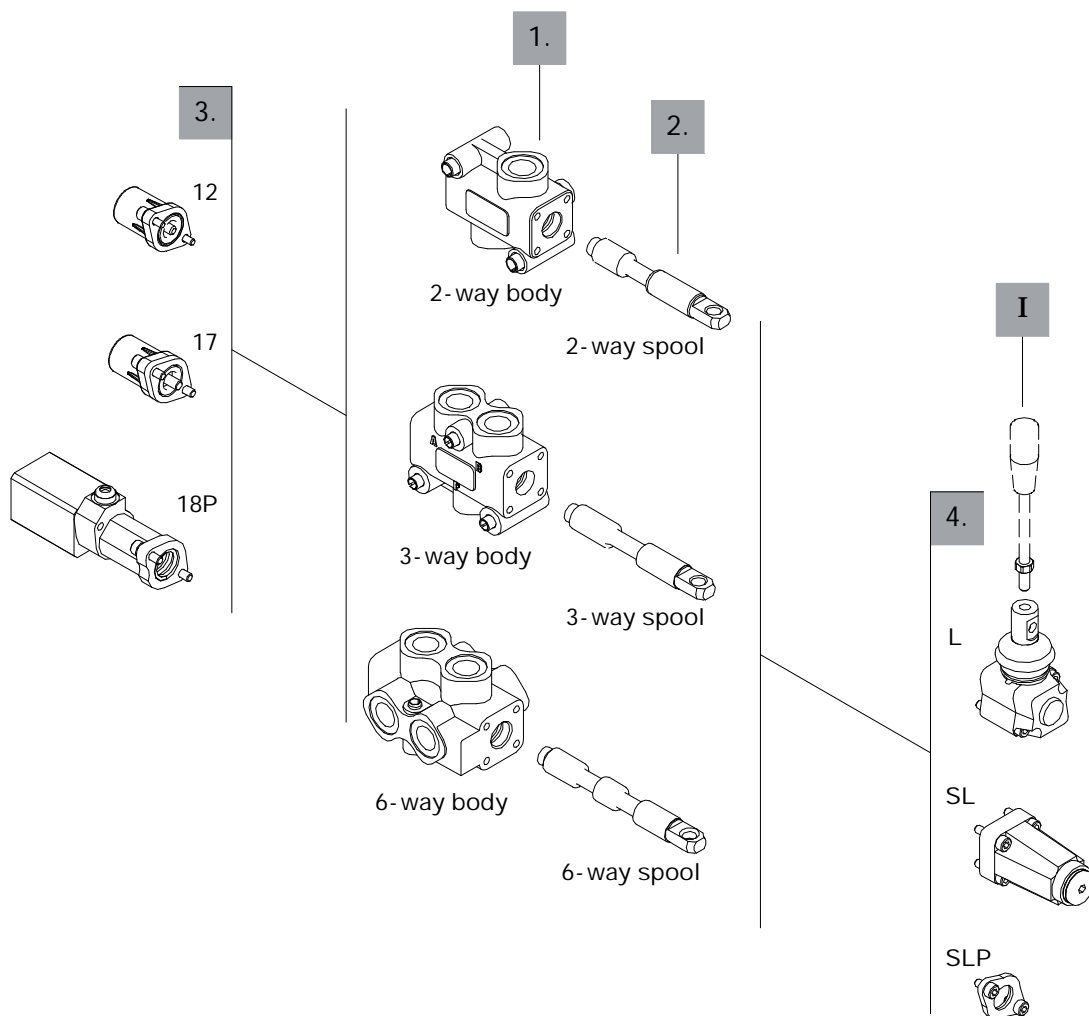
with mechanical control

Ordering codes

Description example:

Diverter valve DF5/3 A 17 SLP

1.
2.
3.
4.



With mechanical control

DF5

Ordering codes

2-way

1. Body kit *

TYPE	BODY	DESCRIPTION
DF5/2	5CO2220300	Standard body kit, BSP threaded

Include body and seals

2. Spool options

TYPE	CODE	DESCRIPTION
A	3CAS105210	2 positions with open centre in neutral
B	3CAS105110	2 positions with closed centre in neutral
AT	3CAS105230	As type A with spherical end
BT	3CAS105130	As type B with spherical end
AC	3CAS105220	As type A prearranged for cam control
BC	3CAS105120	As type B prearranged for cam control

3-way

1. Body kit *

TYPE	CODE	DESCRIPTION
DF5/3	5CO2221300	Standard body kit, BSP threaded

Include body and seal

2. Spool options

TYPE	CODE	DESCRIPTION
A	3CAS105310	3-way, 2 positions with ports connected in transit position
B	3CAS105410	3-way, 2 positions with ports closed in transit position
AT	3CAS105330	As type A with spherical end
AC	3CAS105320	As type A prearranged for cam control
BC	3CAS105420	As type B prearranged for cam control

6-way

1. Body kit *

TYPE	CODE	DESCRIPTION
DF5/6	5CO2222300	Standard body kit, BSP threaded

Include body and seals

2. Spool options

TYPE	CODE	DESCRIPTION
A	3CAS105610	6-way, 2 positions with ports connected in transit position
B	3CAS105710	6-way, 2 positions with ports closed in transit position
AC	3CAS105620	As type A prearranged for cam control
BC	3CAS105720	As type B prearranged for cam control

3. Positioner kits page 14

TYPE	CODE	DESCRIPTION
12	5V12105000	Detent in positions 1 and 2
17	5V17105000	Spring return in position 1
17Y	5V17105010	As type 17, it must be coupled to IA2 control
18ME	5V18405110	Spring return in position 2
18P	5V18105700	ON/OFF pneumatic kit with spring return in position 2
18IA1	5V18105820*	ON/OFF high pressure hydraulic kit with spring return in position 2

4. Control kits page 16

TYPE	CODE	DESCRIPTION
SLP	5COP105000	Without lever box with dust-proof plate kit
SLC	5COP205000	Without lever box with endcap
TQ	5TEL105110	Flexible cable connection
L	5LEV105000	Standard kever box
IA2	5IDR505000*	ON/OFF high pressure kit
CB	5CAM105020	Cam kit

I Optional handlever

TYPE	CODE	DESCRIPTION
AL01/M8x120	170011012	For lever L: height 120 mm / 4.72 in

DF5

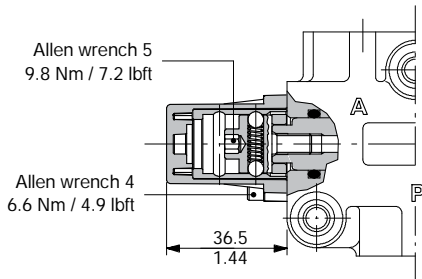
with mechanical control

Positioner kits

With detent

12 kit

Detent in positions 1 and 2.



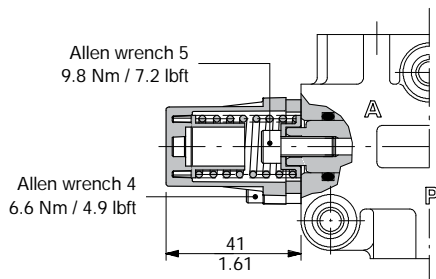
Operating features

Locking and unlocking force : 100 N / 22.5 lbf ±10%

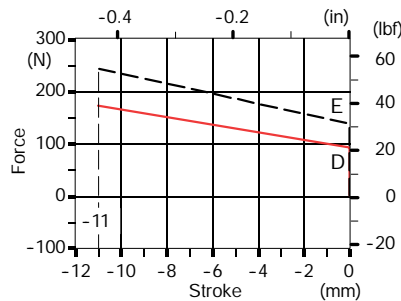
With spring return

17 kit

Spring return in position 1; it's supplied with standard spring type D (see force-stroke diagram). Available also with heavier spring type E (17ME code 5V17305000)



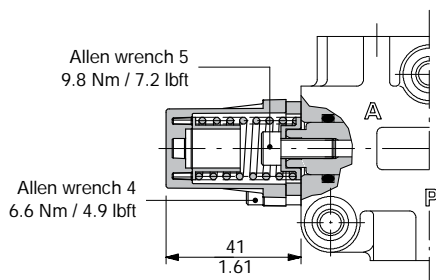
Force-Stroke diagram



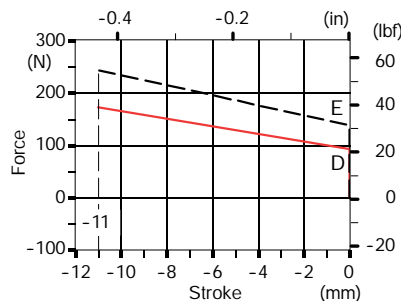
Kit 17Y

As kit 17, it must be coupled to IA2 control on page 17

It's available also with heavier spring type E (17YME code: 5V17305003).



Force-Stroke diagram



With mechanical control

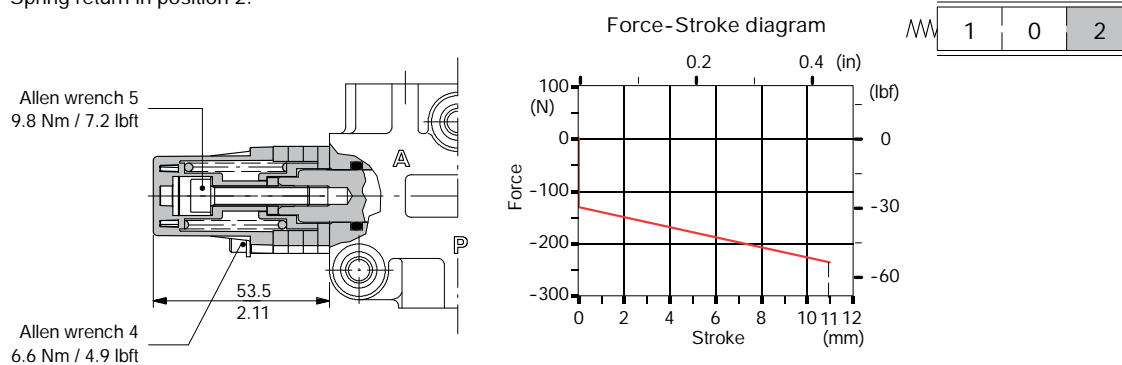
DF5

Positioner kits

With spring return

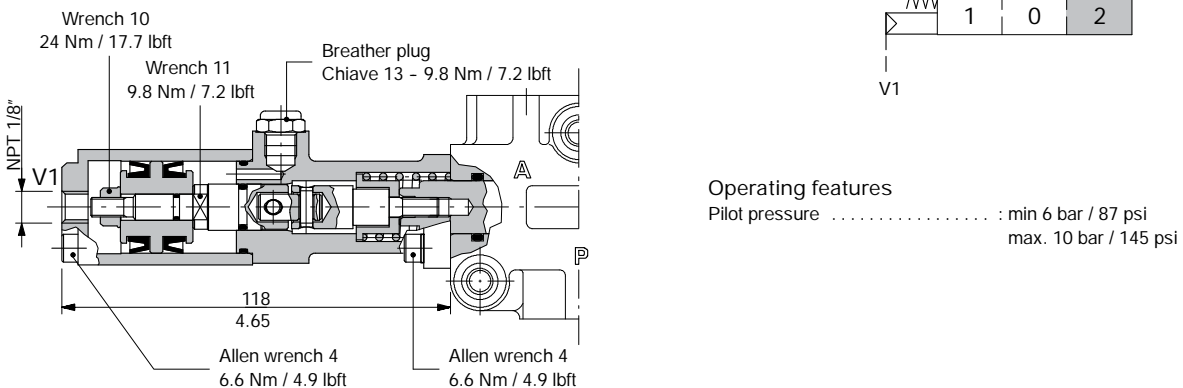
18ME kit

Spring return in position 2.



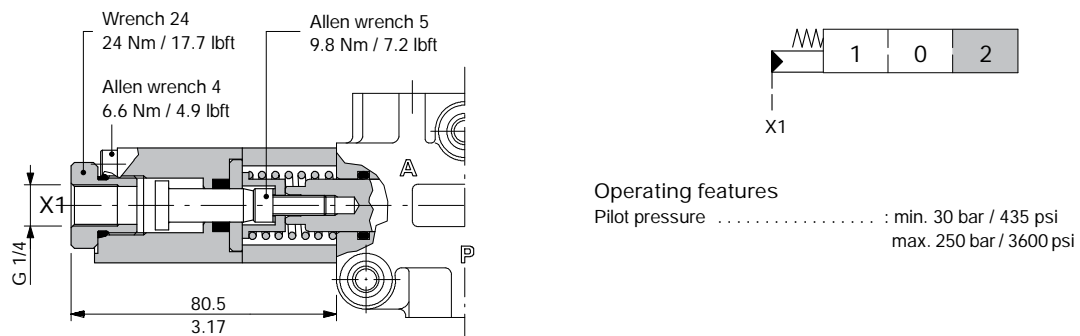
18P: ON/OFF pneumatic kit

With spring return in position 2.



18IA1: ON/OFF hydraulic kit

With high pressure pilot and spring return to position 2.



DF5

with mechanical control

Control kits

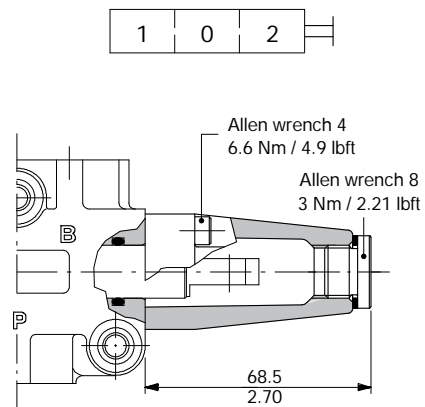
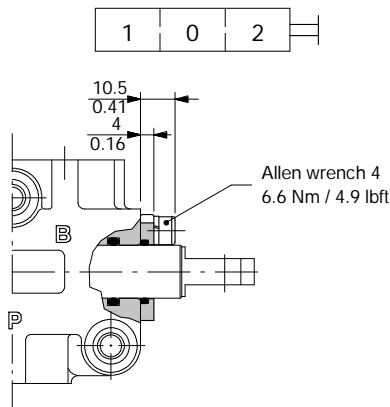
Controls prearrangemet

SLP kit

Mechanical control with dust-proof plate.

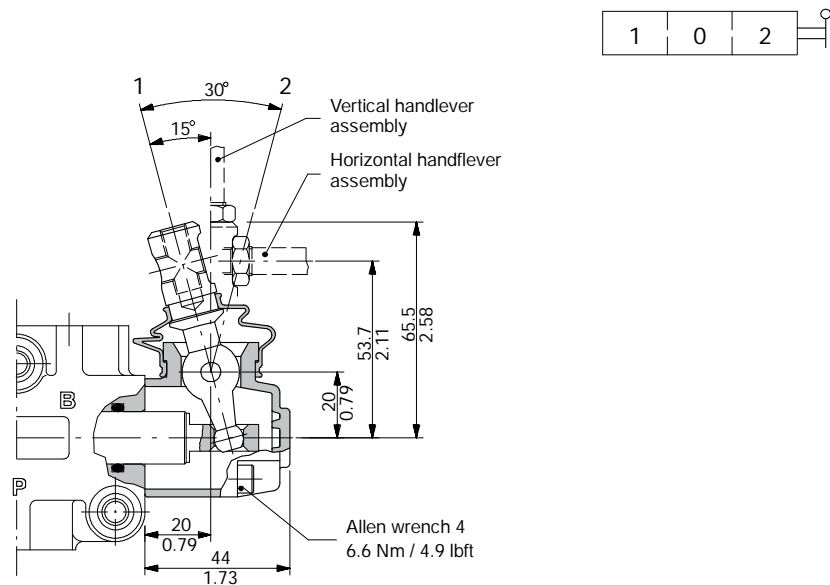
SLC kit

Protection cap usable with pneumatic and hydraulic spool positioner kits.



L lever control

Alumium with protection boot lever pivot box; it can be rotated 180° (execution L180).



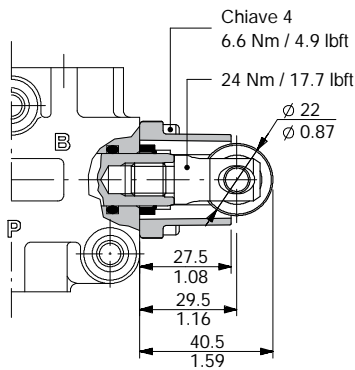
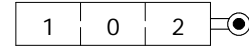
With mechanical control

DF5

Control kits

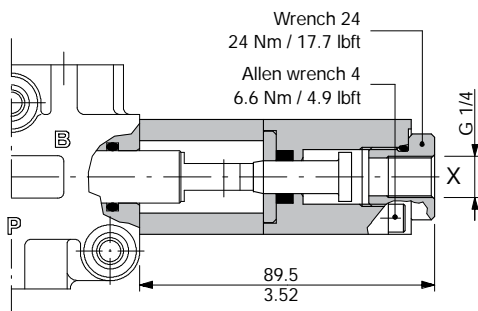
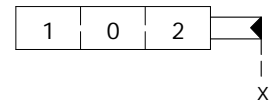
CB cam control

With bronze bearing; it must be coupled to 17 kit.



IA2: ON/OFF hydraulic control

With high pressure pilot; it must be coupled to 17Y kit (see page 14).



Operating features

Pilot pressure : min. 30 bar / 435 psi
max. 250 bar / 3600 psi

DF5

with mechanical control

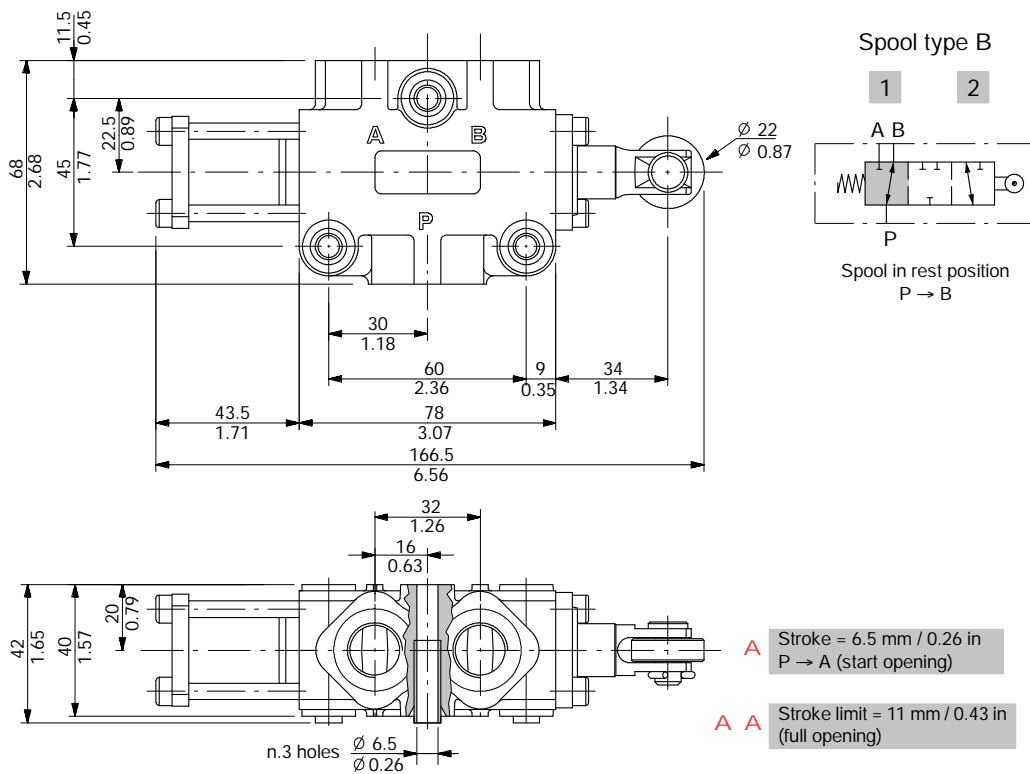
Other executions

Cam spool control suggested for severe applications; it requires a special body, spool and control kit.

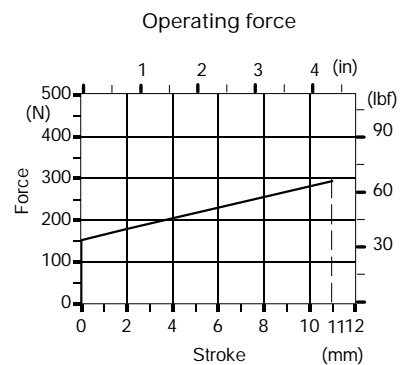
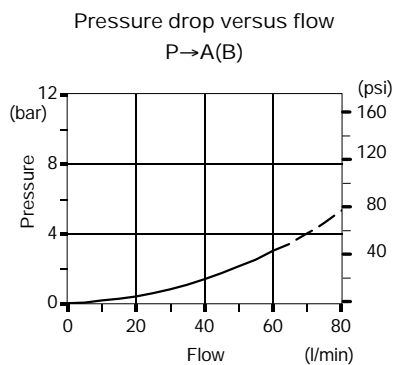
3-way DFC050/3 valve

Complete description: DFC050/3B17GSLP-<CVN> code: 122050023

Valve is supplied painted as standard, with one coat of Primer black antirust paint



Performance data



With mechanical control

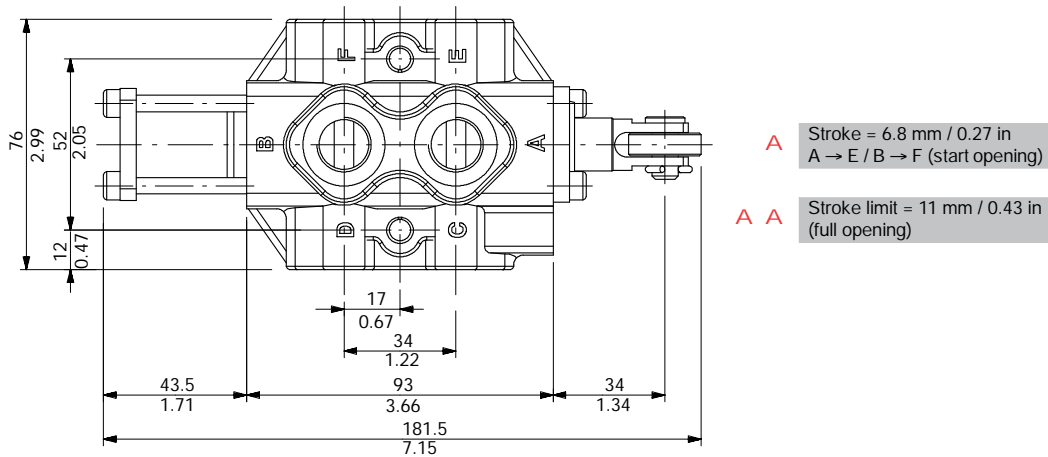
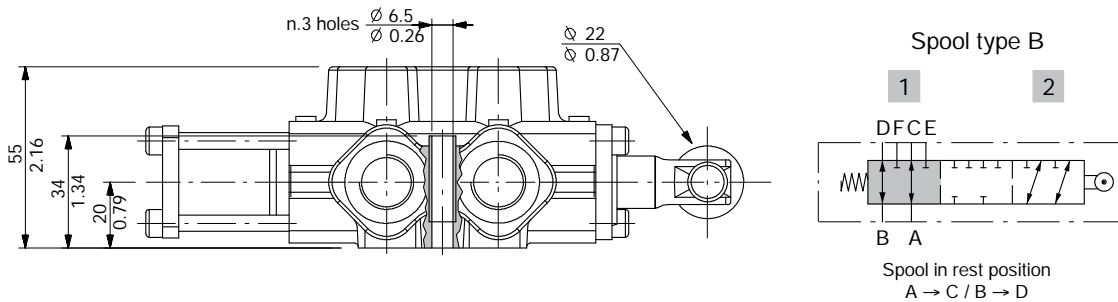
DF5

Other executions

6-way DFC050/6 valve

Complete description: DFC050/6B17GSLP-<<CVN> code: 122080018

Valve is supplied painted as standard, with one coat of Primer black antirust paint



Performance data

