

## Stromregelventil

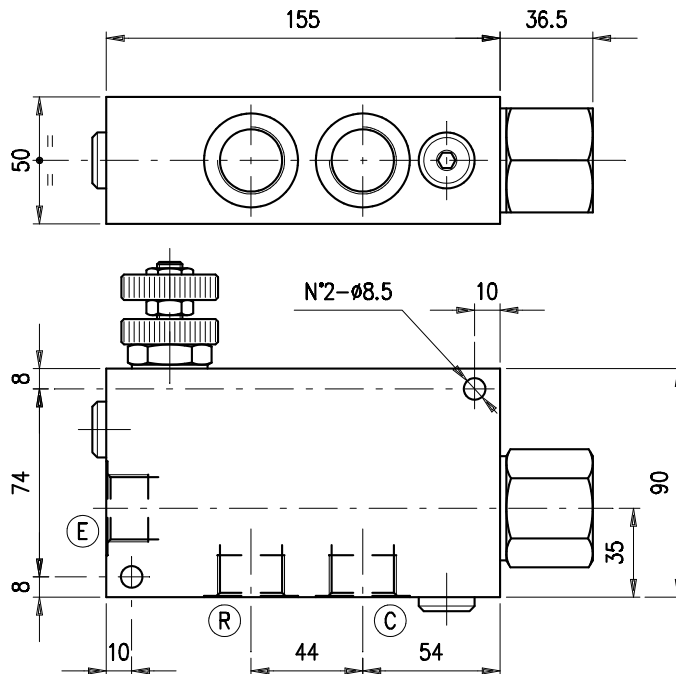
– 3 Wege druckkompensiert, Restmenge druckbeaufschlagbar, G 3/4" –



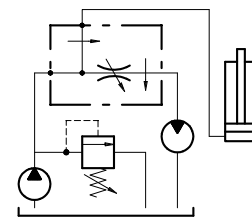
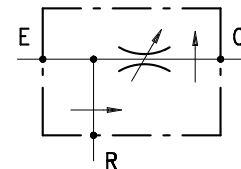
Bestellnr.	Typ	Bezeichnung	Gehäuse	max. Betriebsdruck bar	max. Durchfluss l/min	Code
230-1330-4210	VPR/3/EP 34/V	3/4"-Handrad	Alu	210	150/90	1630041100
230-1330-4215	VPR/3/EP 34/MG	3/4"-Skalenknauf				1630041101
230-1330-4220	VPR/3/EP 34/L	3/4"-Hebelverstellung				1630041102
230-1330-4225	VPR/3/EP 34/V/ac	3/4"-Handrad	Stahl	350	150/90	1630042100
230-1330-4230	VPR/3/EP 34/MG/ac	3/4"-Skalenknauf				1630042103
230-1330-4235	VPR/3/EP 34/L/ac	3/4"-Hebelverstellung				1630042106
230-1330-4240	VPR/3/EP 34/V/ac SAE	3/4"-SAEHandrad				1630042200

FLOW REGULATOR PRESSURE COMPENSATED  
VPR /3 /EP 34

• DIMENSIONS (mm)



• HYDRAULIC DIAGRAM



• DESCRIPTION

3-ways flow regulator, pressure compensated and exceeding flow to pressure.

• OPERATION

The valve is designed to keep constant flow in C and concurrently discharge exceeding flow in R for other applications. Best performance of the valve is assured when the flow in E is at least 10% bigger than in C. Pressure variations in C and R do not alter the constant flow in C. Make sure that a pressure relief valve is always used between the pump and the valve.

• PERFORMANCE

**Maximum flow:** E = 150 l/min. Qmax in C = 90 l/min.

**Maximum Pressure:**

- aluminium body: 210 bar
- steel body: 350 bar

**Maximum pressure compensation error:** see performance graphs.

**Working temperature:**

- Minimum -25°C max 90°C with standard BUNA N gaskets
- Minimum -20°C max 120°C with VITON gaskets on request

• RECOMMENDATIONS

**Fluid:** best use mineral oil with viscosity ranging between 10 and 200 cSt

**Filter:** see page Z.9000.000.

**Weight:**

- aluminium body: 2.46 kg
- steel body: 4.95 kg

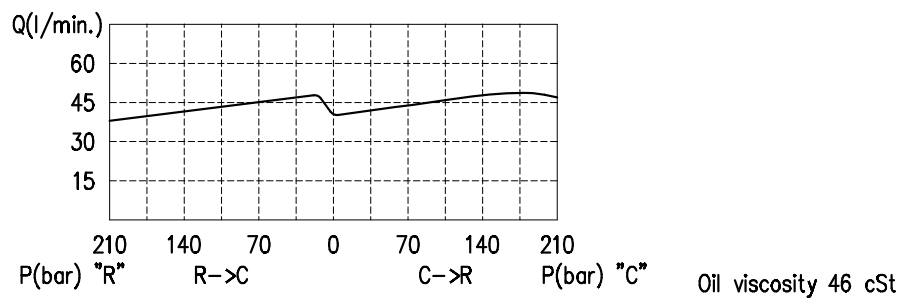
**Material:** internal components made out of high-grade steel duly treated and fabricated.

For more information please ask our technical office.

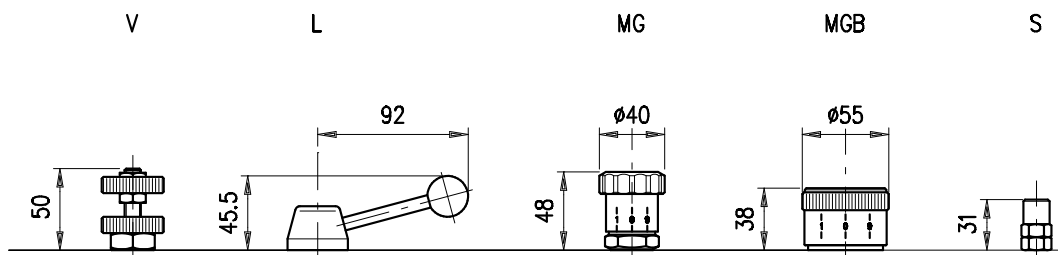
Variations and modifications of technical features and dimensions are reserved. **OLEOSTAR S.p.A.** also reserves the right to stop production of each and any model listed in the catalogue with no notice.

Copyrights on the text contained herein belong to **OLEOSTAR S.p.A.** . Partial and full reproductions or copies of this catalogue are forbidden.

• RATING DIAGRAMS



• ADJUSTMENTS



• CODE NUMBER

