

Stromregelventil

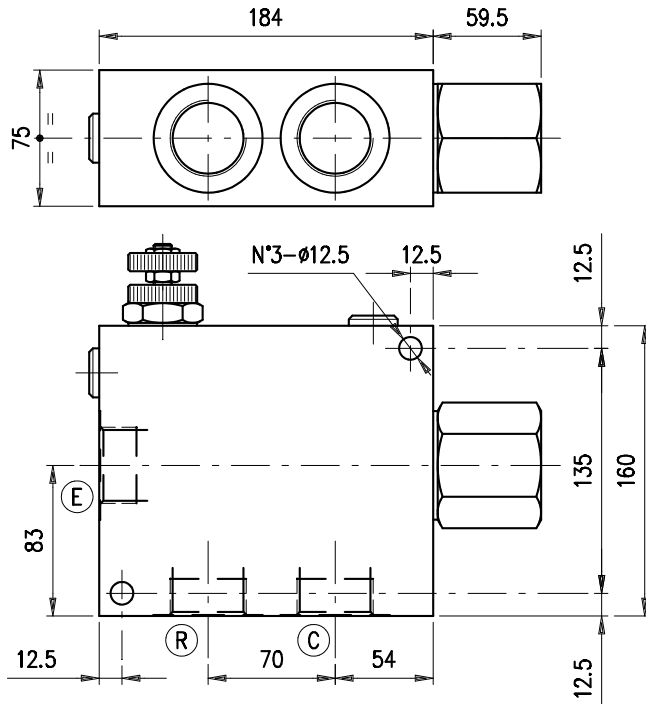
– 3 Wege druckkompensiert, Restmenge druckbeaufschlagbar, G 1 1/4" –



Bestellnr.	Typ	Bezeichnung	Gehäuse	max. Betriebsdruck bar	max. Durchfluss l/min	Code
230-1350-4275	VPR/3/EP 114/V	1 1/4"-Handrad	Alu	210	450/250	1630061100
230-1350-4280	VPR/3/EP 114/MG	1 1/4"-Skalenknauf				1630061101
230-1350-4285	VPR/3/EP 114/L	1 1/4"-Hebelverstellung				1630061102
230-1350-4290	VPR/3/EP 114/V/ac	1 1/4"-Handrad	Stahl	350		1630062100
230-1350-4295	VPR/3/EP 114/MG/ac	1 1/4"-Skalenknauf				1630062101
230-1350-4300	VPR/3/EP/RL 38/V					1631021100

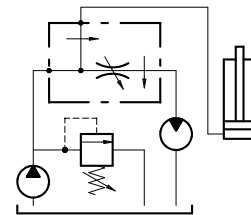
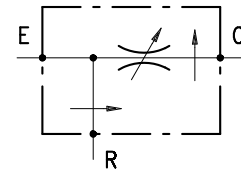
FLOW REGULATOR PRESSURE COMPENSATED
VPR /3 /EP 114

• DIMENSIONS (mm)



E	R	U
G 1" 1/4	G 1" 1/4	G 1" 1/4

• HYDRAULIC DIAGRAM



• DESCRIPTION

3-ways flow regulator, pressure compensated and exceeding flow to pressure.

• OPERATION

The valve is designed to keep constant flow in C and concurrently discharge exceeding flow in R for other applications. Best performance of the valve is assured when the flow in E is at least 10% bigger than in C. Pressure variations in C and R do not alter the constant flow in C. Make sure that a pressure relief valve is always used between the pump and the valve.

• PERFORMANCE

Maximum flow: E = 450 l/min. Qmax in C = 250 l/min.

Maximum Pressure:

- aluminium body: 210 bar
- steel body: 350 bar

Maximum pressure compensation error: see performance graphs.

Working temperature:

- Minimum -25°C max 90°C with standard BUNA N gaskets
- Minimum -20°C max 120°C with VITON gaskets on request

• RECOMMENDATIONS

Fluid: best use mineral oil with viscosity ranging between 10 and 200 cSt

Filter: see page Z.9000.000.

Weight:

- aluminium body: 7.45 kg
- steel body: 15.80 kg

Material: internal components made out of high-grade steel duly treated and fabricated.

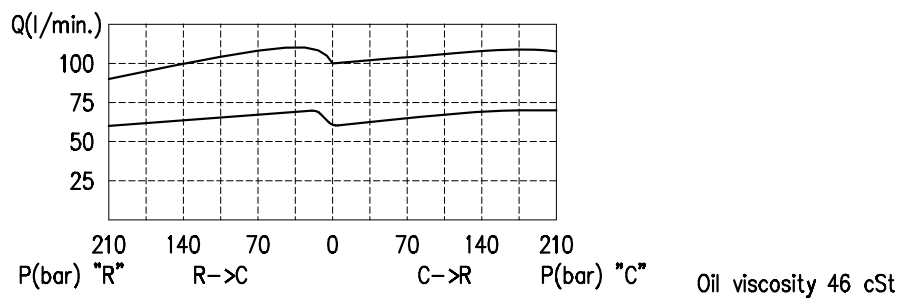
230-1350

For more information please ask our technical office.

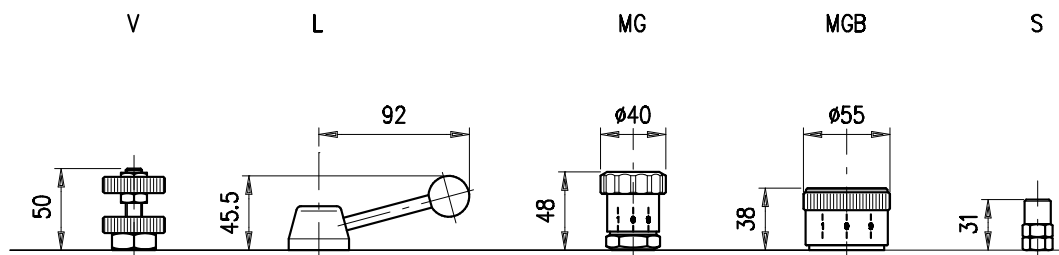
Variations and modifications of technical features and dimensions are reserved. **OLEOSTAR S.p.A.** also reserves the right to stop production of each and any model listed in the catalogue with no notice.

Copyrights on the text contained herein belong to **OLEOSTAR S.p.A.** . Partial and full reproductions or copies of this catalogue are forbidden.

• RATING DIAGRAMS



• ADJUSTMENTS



• CODE NUMBER

