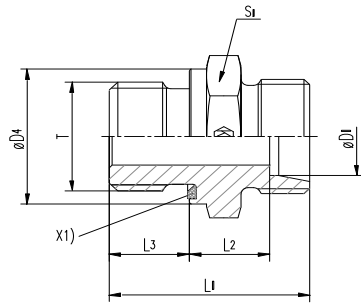


GE/R-ED Male stud connector  
Male BSPP thread-ED-seal (ISO 1179) EO 24° cone end

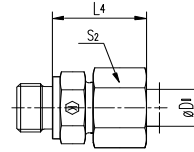
Zöll. Einschraubzapfen - ED (ISO 1179) / EO 24° Anschluss

Order code without nut and cutting ring  
XRE...(X501....)

Order code with nut and cutting ring  
RE...(501....)



X1) Elastic-sealing ED



Series	Tube ØD1	T	D4	L1	L2	L3	L4	S1	S2	Weight g/1 piece	ITEM CODE	ITEM NAME	PN (bar)
	Rohr ØD1										PREMOEM Nr.:	Bezeichnung	
LL	4	G 1/8A	13.9	21.5	9.5	8.0	19	14	10	15	501110402	RE4DBR02PLX	100
	6	G 1/8A	13.9	21.5	8.0	8.0	20	14	12	17	501110602	RE6DBR02PLX	100
L	6	G 1/8A	13.9	23.5	8.5	8.0	23	14	14	12	501210602	RE6NBR02PLX	315
	6	G 1/4A	18.9	29.0	10.0	12.0	25	19	14	30	501210604	RE6NBR04PLX	315
	6	G 3/8A	21.9	30.5	11.5	12.0	26	22	14	40	501210606	RE6NBR06PLX	315
	6	G 1/2A	26.9	33.0	12.0	14.0	27	27	14	61	501210608	RE6NBR08PLX	315
	8	G 1/4A	18.9	29.0	10.0	12.0	25	19	17	28	501210804	RE8NBR04PLX	315
	8	G 1/8A	13.9	23.5	8.5	8.0	24	14	17	14	501210802	RE8NBR02PLX	315
	8	G 3/8A	21.9	30.5	11.5	12.0	26	22	17	43	501210806	RE8NBR06PLX	315
	8	G 1/2A	26.9	33.0	12.0	14.0	27	27	17	72	501210808	RE8NBR08PLX	315
	10	G 1/4A	18.9	30.0	11.0	12.0	26	19	19	28	501211004	RE10NBR04PLX	315
	10	G 1/8A	13.9	25.5	10.5	8.0	25	17	19	19	501211002	RE10NBR02PLX	315
	10	G 3/8A	21.9	31.5	12.5	12.0	27	22	19	40	501211006	RE10NBR06PLX	315
	10	G 1/2A	26.9	34.0	13.0	14.0	28	27	19	71	501211008	RE10NBR08PLX	315
	12	G 3/8A	21.9	31.5	12.5	12.0	27	22	22	41	501211206	RE12NBR06PLX	315
	12	G 1/8A	13.9	26.5	11.5	8.0	26	19	22	26	501211202	RE12NBR02PLX	315
	12	G 1/4A	18.9	31.0	12.0	12.0	27	19	22	30	501211204	RE12NBR04PLX	315
	12	G 1/2A	26.9	34.0	13.0	14.0	28	27	22	66	501211208	RE12NBR08PLX	315
	12	G 3/4A	31.9	37.0	14.0	16.0	29	32	22	115	501211212	RE12NBR12PLX	315
	15	G 1/2A	26.9	35.0	14.0	14.0	29	27	27	72	501211508	RE15NBR08PLX	315
	15	G 3/8A	21.9	32.5	13.5	12.0	29	24	27	54	501211506	RE15NBR06PLX	315
	15	G 3/4A	31.9	38.0	15.0	16.0	30	32	27	105	501211512	RE15NBR12PLX	315
	18	G 1/2A	26.9	36.0	14.5	14.0	31	27	32	71	501211808	RE18NBR08PLX	315
	18	G 3/8A	21.9	33.5	14.0	12.0	30	27	32	67	501211806	RE18NBR06 PLX	315
	18	G 3/4A	31.9	38.0	14.5	16.0	31	32	32	114	501211812	RE18NBR12PLX	315
	22	G 3/4A	31.9	40.0	16.5	16.0	33	32	36	102	501212212	RE22NBR12PLX	160
	22	G 1/2A	26.9	38.0	16.5	14.0	33	32	36	96	501212208	RE22NBR08PLX	160
	22	G 1A	39.9	43.0	17.5	18.0	34	41	36	191	501212216	RE22NBR16PLX	160
	28	G 1A	39.9	43.0	17.5	18.0	34	41	41	166	501212816	RE28NBR16PLX	160
	28	G 3/4A	31.9	41.0	17.5	16.0	34	41	41	218	501212812	RE28NBR12PLX	160
	28	G 11/4A	49.9	46.0	18.5	20.0	35	50	41	316	501212820	RE28NBR20PLX	160
	35	G 11/4A	49.9	48.0	17.5	20.0	39	50	50	272	501213520	RE35NBR20PLX	160
	35	G 1A	39.9	46.0	17.5	18.0	39	46	50	226	501213516	RE35NBR16PLX	160
	35	G 11/2A	54.9	52.0	19.5	22.0	41	55	50	417	501213524	RE35NBR24PLX	160
42	G 11/2A	54.9	52.0	19.0	22.0	42	55	60	346	501214224	RE42NBR24PLX	160	
42	G 1A	39.9	48.0	19.0	18.0	42	55	60	324	501214216	RE42NBR16PLX	160	
42	G 11/4A	49.9	50.0	19.0	20.0	42	55	60	346	501214220	RE42NBR20PLX	160	

L=light series

PN (bar) = PN (MPa)  
10

Zinc plated=Cr(VI)-free