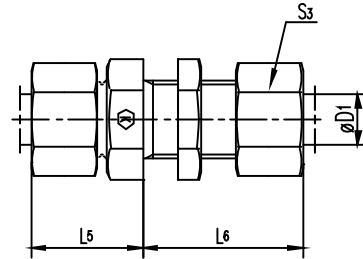
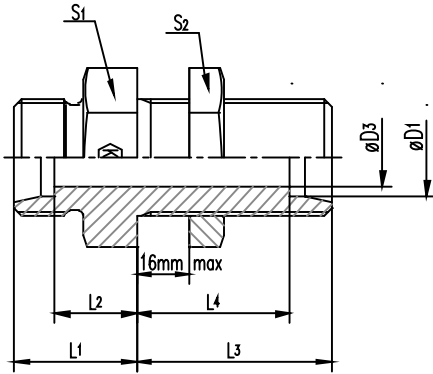


SV Bulkhead union - 24° cone end

Gerader Schottstutzen

Order code without nut and cutting ring
XPGN...(X181....)

Order code with nut and cutting ring
PGN...(181....)



Series	Tube	D3	L1	L2	L3	L4	L5	L6	S1	S2	S3	Weight g/1 piece	ITEM CODE	ITEM NAME	PN (bar)
	ØD1												Premoem Nr.:	Bezeichnung:	
L NB	6	4.0	14	7.0	34	27.0	22	42	17	17	14	39	181200606	PGN6NB	315
	8	6.0	15	8.0	34	27.0	23	42	19	19	17	49	181200808	PGN8NB	315
	10	8.0	17	10.0	35	28.0	25	43	22	22	19	67	181201010	PGN10NB	315
	12	10.0	17	10.0	36	29.0	25	44	24	24	22	77	181201212	PGN12NB	315
	15	12.0	19	12.0	38	31.0	27	46	27	30	27	136	181201515	PGN15NB	315
	18	15.0	21	13.5	40	32.5	30	49	32	36	32	198	181201818	PGN18NB	315
	22	19.0	24	16.5	42	34.5	33	51	36	41	36	244	181202222	PGN22NB	160
	28	24.0	26	18.5	43	35.5	35	52	41	46	41	339	181202828	PGN28NB	160
	35	30.0	29	18.5	47	36.5	40	58	50	55	50	546	181203535	PGN35NB	160
	42	36.0	30	19.0	47	36.0	42	59	60	65	60	744	181204242	PGN42NB	160
S YB	6	4.0	19	12.0	36	29.0	27	44	19	19	17	65	181300606	PGN6YB	630
	8	5.0	20	13.0	36	29.0	28	44	22	22	19	87	181300808	PGN8YB	630
	10	7.0	22	14.5	37	29.5	31	46	24	24	22	110	181301010	PGN10YB	630
	12	8.0	22	14.5	38	30.5	31	47	27	27	24	139	181301212	PGN12YB	630
	14	10.0	25	17.0	40	32.0	35	50	30	30	27	180	181301414	PGN14YB	630
	16	12.0	25	16.5	40	31.5	35	50	32	32	30	201	181301616	PGN16YB	400
	20	16.0	28	17.5	44	33.5	39	55	41	41	36	343	181302020	PGN20YB	400
	25	20.0	32	20.0	47	35.0	44	59	46	46	46	495	181302525	PGN25YB	400
	30	25.0	35	21.5	51	37.5	48	64	50	50	50	633	181303030	PGN30YB	400
	38	32.0	38	22.0	53	37.0	53	68	65	65	60	1107	181303838	PGN38YB	315

LL= very light series

L= light series

S= heavy series

$\frac{PN \text{ (bar)}}{10} = PN \text{ (MPa)}$

Zinc plated=Cr(VI)-free