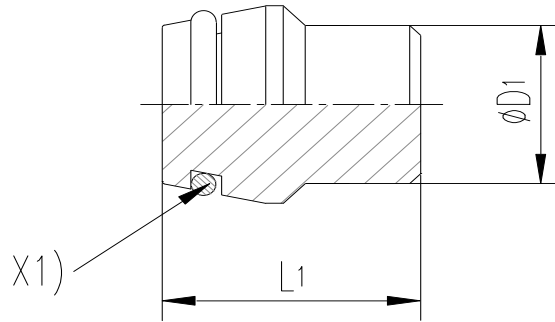


VKA Blanking plug for cones
24° DKO swivel

Order code
TAPO....(505...)



X1) O-ring OR

Series	Tube ØD1	L1	Weight g/1 piece	ITEM CODE	ITEM NAME	PN (bar)
L NB	6	18.5	6	505200600	TAPO6NB	315
	8	18.5	9	505200800	TAPO8NB	315
	10	20.0	15	505201000	TAPO10NB	315
	12	20.5	21	505201200	TAPO12NB	315
	15	20.5	32	505201500	TAPO15NB	315
	18	22.5	49	505201800	TAPO18NB	315
	22	25.0	80	505202200	TAPO22NB	160
	28	25.5	131	505202800	TAPO28NB	160
	35	30.0	240	505203500	TAPO35NB	160
	42	30.0	343	505204200	TAPO42NB	160
S YB	6	18.5	6	505300600	TAPO6YB	630
	8	18.5	9	505300800	TAPO8YB	630
	10	20.0	15	505301000	TAPO10YB	630
	12	20.5	21	505301200	TAPO12YB	630
	14	22.5	30	505301400	TAPO14YB	630
	16	23.5	40	505301600	TAPO16YB	400
	20	28.5	78	505302000	TAPO20YB	400
	25	29.0	120	505302500	TAPO25YB	400
	30	30.5	180	505303000	TAPO30YB	400
		38	33.0	309	505303800	TAPO38YB

LL= very light series

L= light series

S= heavy series

$\frac{PN \text{ (bar)}}{10} = PN \text{ (MPa)}$

Zinc plated=Cr(VI)-free